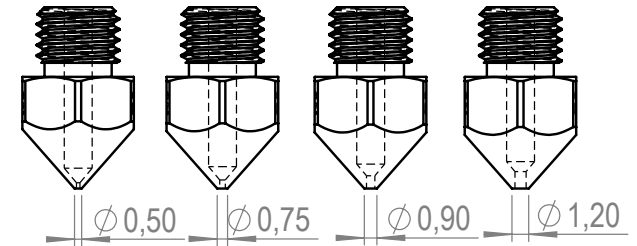
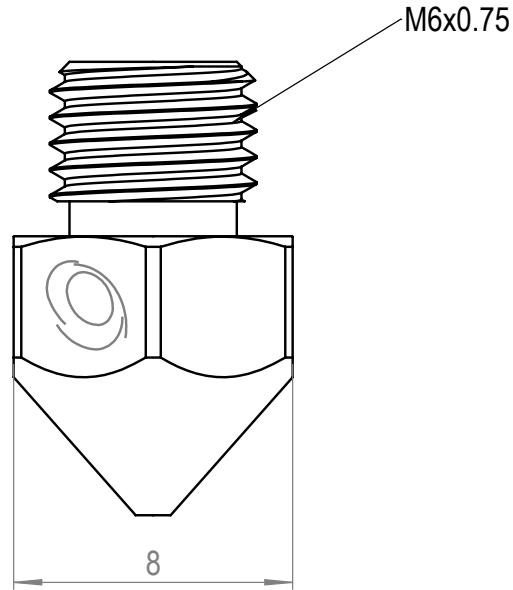
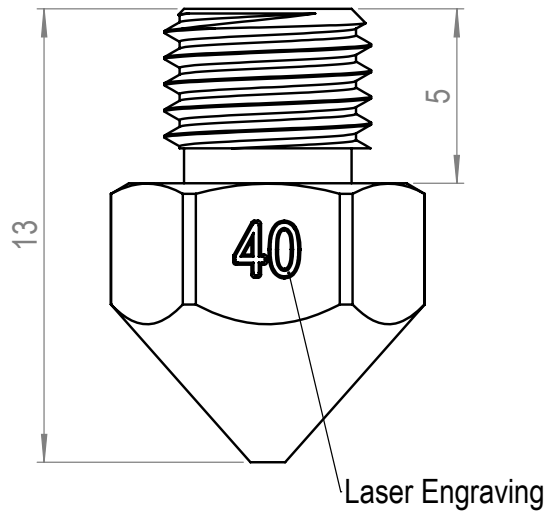


#nozzles 600-B-PRO-175

SKU



NAME Brass Nozzle M6×0.75×5×13 1.75

TYPE Nozzles

SKU 600-B-PRO-175

Specifications

Available Sizes	0.25, 0.40, 0.60, 0.80
Thread	M6x0.75 Thread Length: 5mm
Hex Size	8mm
Total Length	13mm
Working Temperature	Up to 300°C
Areas Of Use	PLA, ABS, HIPS, PC, TPU, TPE, NYLON, PETG, ASA, PP, PVA
Tightening Torque	1.5 Nm

Compatibility

Creality CR-10 Max
Creality CR-10S Pro
Creality CR-10S Pro V2