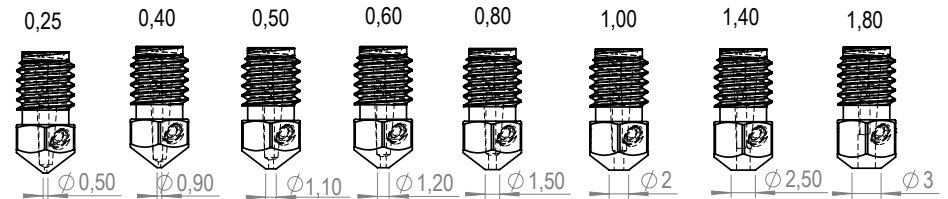
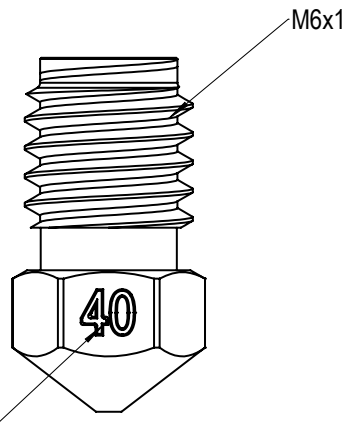
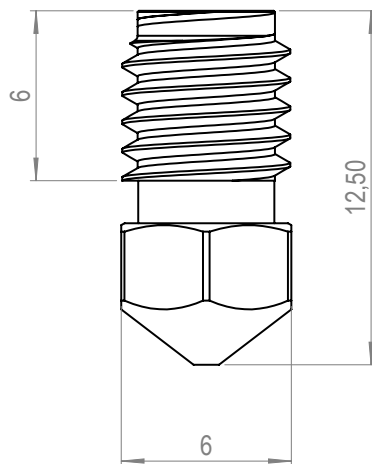
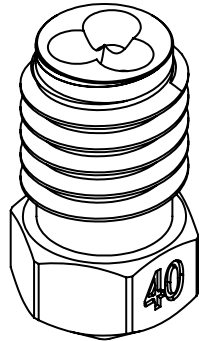


#nozzles 600-C-CHT-MOS-175

SKU



NOZZLES SPECIFICATIONS

Specifications

Available Sizes	0.25, 0.40, 0.50, 0.60, 0.80, 1.00, 1.40, 1.80
Thread	M6x1 Thread Length: 7.5mm
Hex Size	7mm
Total Length	12.5mm
Working Temperature	Up to 300°C
Areas Of Use	PLA, ABS, HIPS, PC, TPU, TPE, NYLON, PETG, ASA, PP, PVA
Tightening Torque	Hot tighten at 1.5 Nm

Compatibility

Mosquito and Mosquito Magnum
Copperhead
E3D V4, V5 and V6 blocks
E3D Chimera and Kraken
RepRap M6
Prusa Blocks



NAME	Coated Nozzle M6×1×6×12.5x 1.75
TYPE	Nozzles
SKU	600-C-CHT-MOS-175